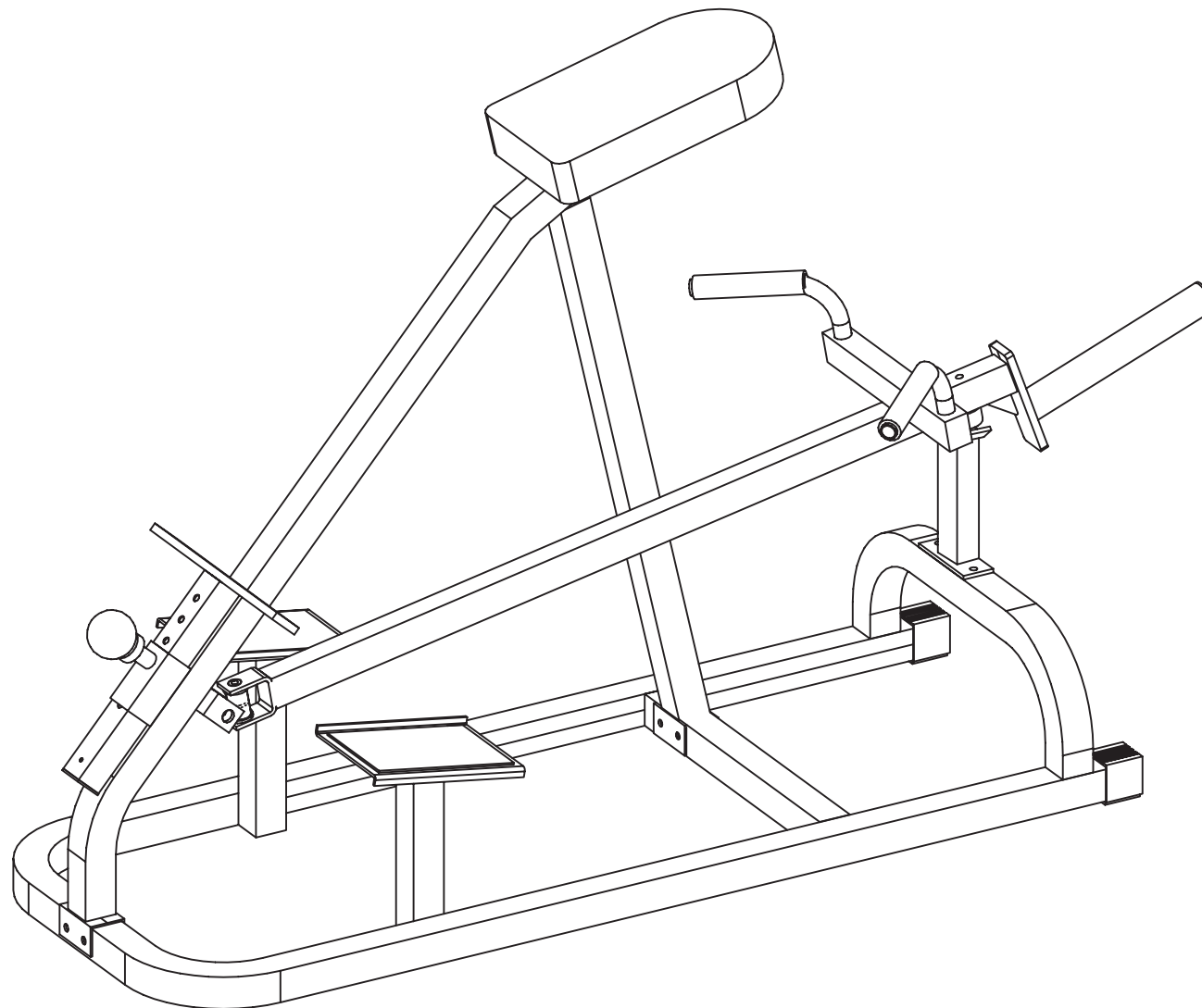


INCLINE ROWER

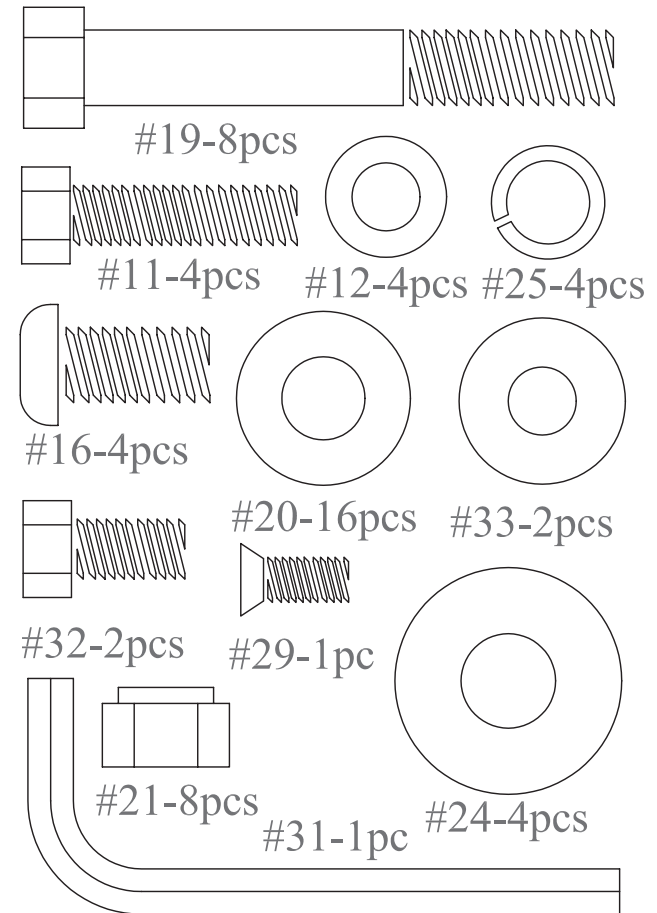
8 1 3 0



INCLINE ROWER 8 1 3 0

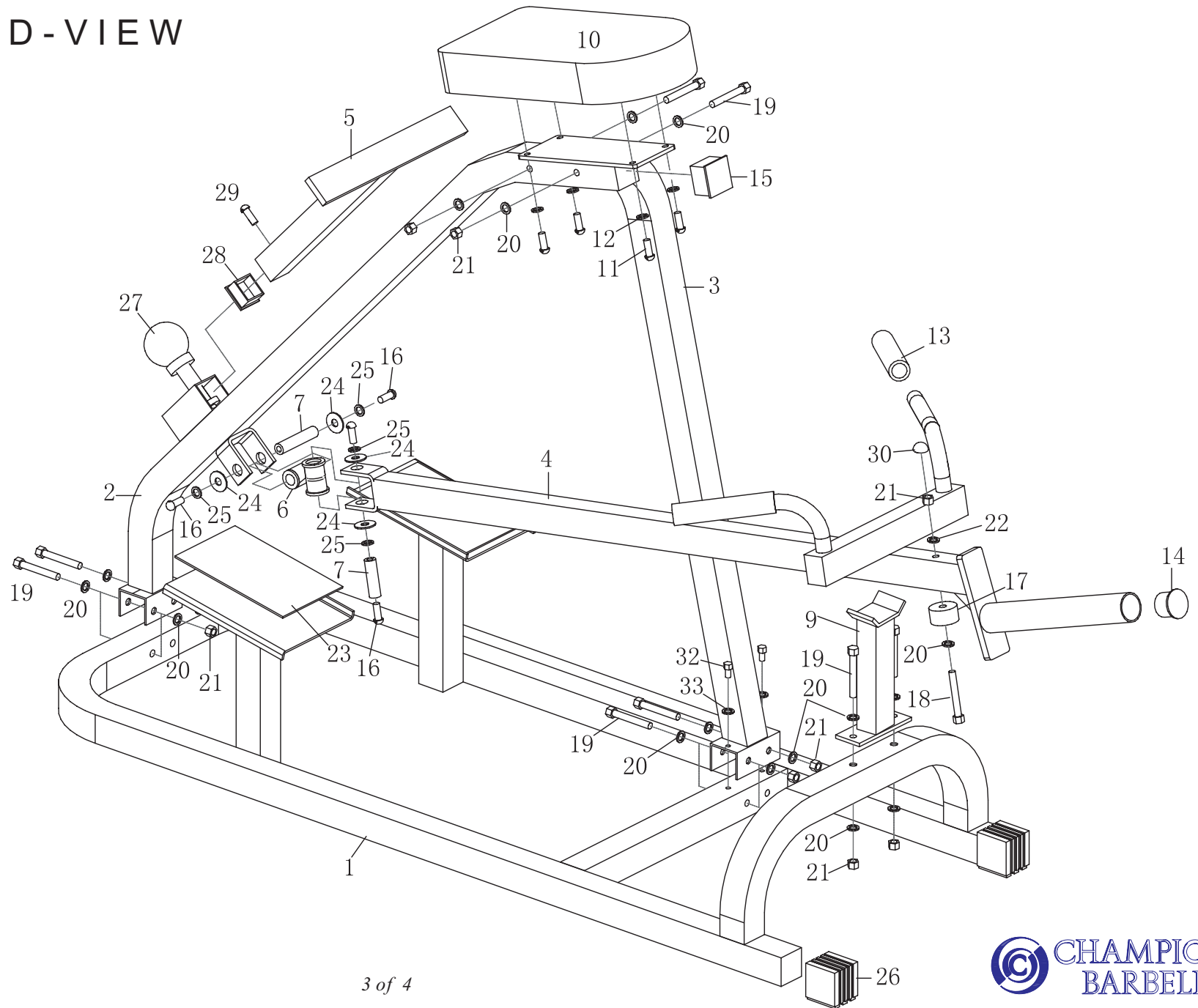
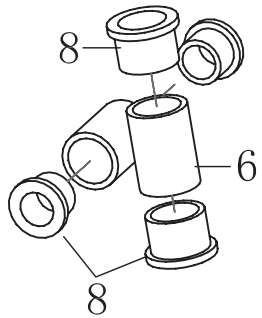
ITEM	PARTS DESCRIPTION	QTY
1.	Frame base	1 ea
2.	Frame bench	1 ea
3.	Frame bench support	1 ea
4.	Bench arm	1 ea
5.	Adjustable foot stand	1 ea
6.	Cross joint	1 ea
7.	Shaft for cross joint	2 ea
8.	Hat bushing (factory-assembled)	4 ea
9.	Arm post	1 ea
10.	Chest pad	1 ea
11.	Hex bolt M8x30	4 ea
12.	Washer 16mmdia for M8 bolt	4 ea
13.	Rubber hand grip	2 ea
14.	End plug (48mmdia tube)	1 ea
15.	End plug (sq50)	1 ea
16.	Allen bolt M10x20	4ea
17.	Rubber bumper	1 ea
18.	Hex bolt M10x72 (factory-assmebled)	1 ea
19.	Hex bolt M10x70	8 ea
20.	Washer M10	17 ea
21.	Lock nut M10	9 ea
22.	Finish washer M10 (factory-assembled)	1 ea
23.	Sand paper	2 ea
24.	Washer 30mmdia for M10 bolt	4 ea
25.	Lock washer M10	4 ea
26.	End cap (sq50)	2 ea
27.	Pop pin	1 ea
28.	End plug (sq45)	1 ea
29.	Flat head Philips screw M6x10	1 ea
30.	Nut cap	1 ea
31.	Allen wrench 6mm	1 ea
32.	Hex bolt M8x15	2 ea
33.	Washer 22mmdia for M8 bolt	2 ea

HARDWARE DRAWING 1:1 RATIO



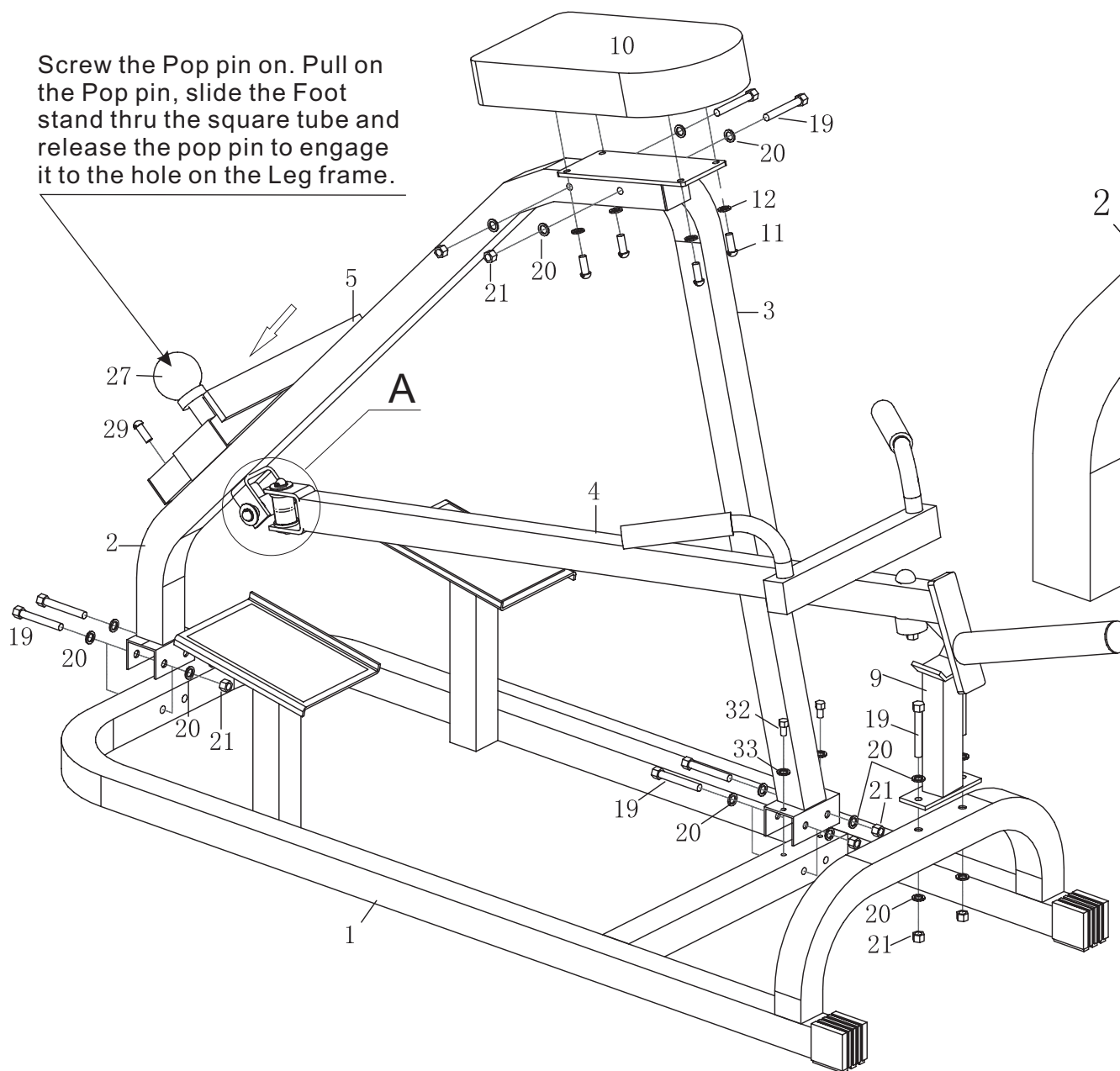
8130 EXPLODED-VIEW

CROSS JOINT ASSEMBLY



8 1 3 0 ASSEMBLY DRAWINGS

Screw the Pop pin on. Pull on the Pop pin, slide the Foot stand thru the square tube and release the pop pin to engage it to the hole on the Leg frame.



DETAIL A

